

USER MANUAL

ELECTRIC FIREPLACE

REF. CODE: ELP-10-121

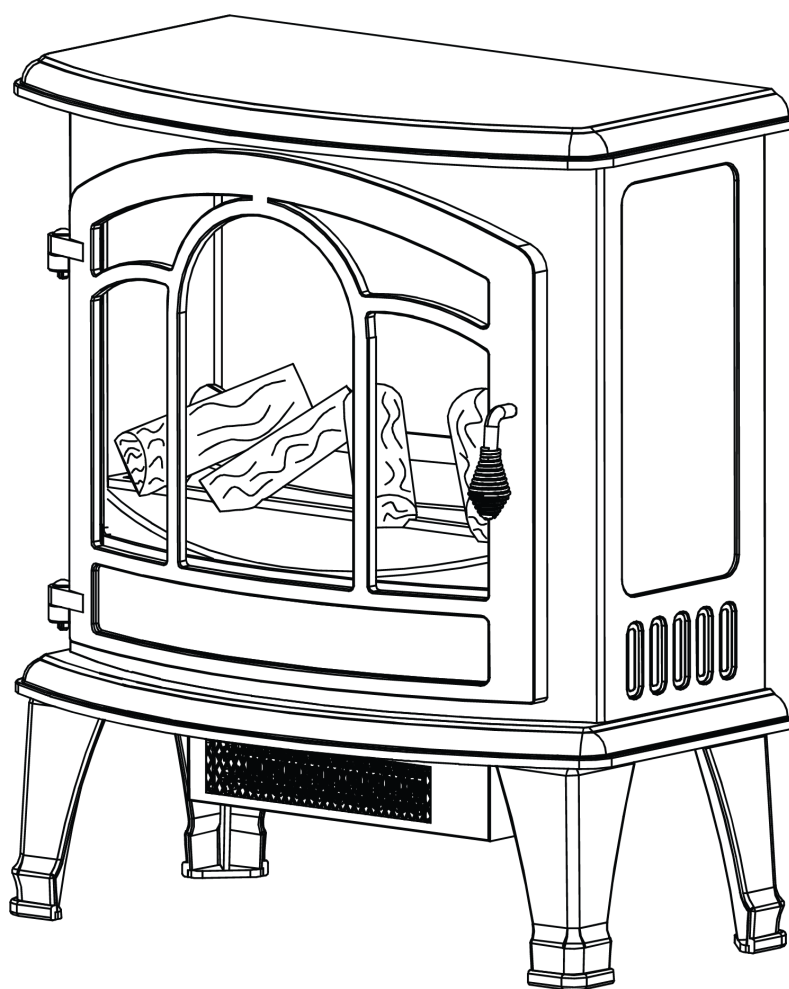


Table of Contents

Warnings & Precautions	03
Technical Specification	04
Package Contents	04
Installation guide	05
Users Instruction	07
Care and Maintenance	09

When using electrical appliances, basic safety precautions should always be followed including the following:

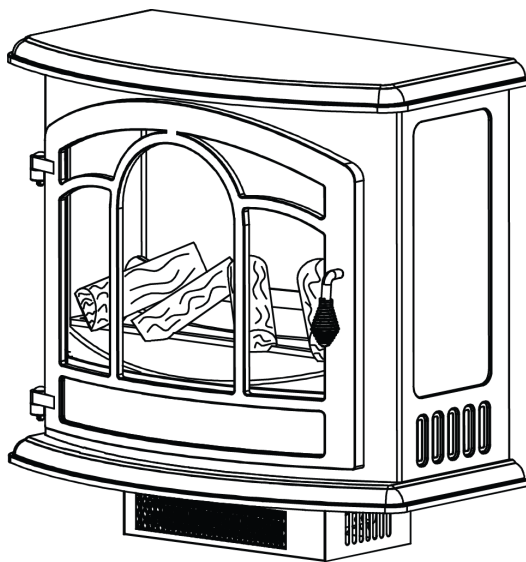
READ ALL INSTRUCTIONS BEFORE USE

1. Read all instructions before using this appliance.
2. This appliance is hot when in use. To avoid burns, do not let bare skin touch hot surfaces. If provided, use handles when moving this appliance. Keep combustible materials, such as furniture, pillows, bedding, papers, clothes, and curtains at least 3ft. (914mm) from the front of this appliance and keep them away from the sides and rear.
3. Extreme caution is necessary when any heater is used by or near children, invalids, or pets and whenever the heater is left operating unattended.
4. if possible always unplug this appliance when not in use.
5. Do not operate any heater with a damaged cord or plug or after the appliance malfunctions, has been dropped or damaged in any manner.
6. Any repairs to this appliance should be carried out by a qualified service person.
7. Under no circumstances should this appliance be modified. Parts having to be removed for servicing must be replaced prior to operating this appliance again.
8. Do not use outdoors.
9. This heater is not intended for use in bathrooms, laundry areas and similar indoor locations. Never place this appliance where it may fall into a bathtub or other water container.
10. Do not use this heater in elevated locations, such as on shelves, raised platforms, etc.
11. Do not run cord under carpeting. Do not cover cord with throw rugs, runners or the like. Arrange cord away from traffic areas and where it will not be tripped over.
12. To disconnect this appliance, turn controls to the off position, then remove plug from outlet.
13. Connect to properly grounded outlets only.
14. Do not insert or allow foreign objects to enter any ventilation or exhaust opening as this may cause an electric shock, fire or damage to the appliance.
15. To prevent possible fire, do not block air intakes or exhaust in any manner. Do not use on soft surfaces, like a bed, where openings may become blocked.
16. This appliance has hot arcing or sparking parts inside. Do not use it in areas where gasoline, paint, or flammable liquids are used or stored. This appliance should not be used as a drying rack for clothing, nor should Christmas stockings or decorations be hung on or near it.
17. Use this appliance only as described in this manual. Any other use not recommended by the manufacturer may cause fire, electric shock or injury.
18. Always plug heaters directly into a wall outlet. An extension cord or relocatable power tap (outlet / power strip) should never be used.
19. Do not use this heater with missing, damaged, or broken legs.

Specifications

Model Number	SE508-20
Dimensions (W x D x H)	20"x11.26"x23"
Net Weight	26 lb
Gross Weight	32.5 lb
Power Rating	1800 W
Voltage	220 V
Frequency	50 Hz

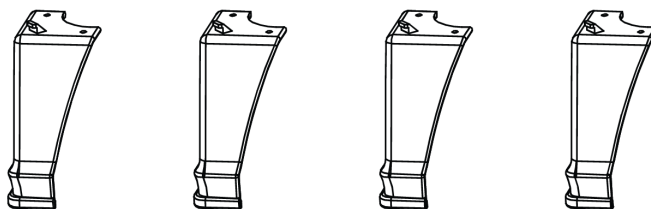
Package Contents



Main Unit

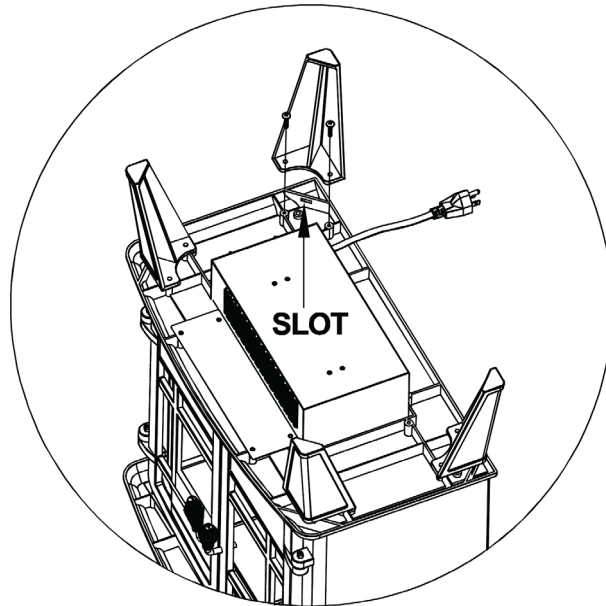


Screw x8



Leg x4

Installation Guide



Assemble Instruction

1. Take out the unit from the box and layout all the spare parts for easy assembly. Make sure all small items are not left in the packaging materials.
2. Lay the unit upside down.
3. Attach the leg to the unit by aligning the tabs on the leg to the slot on the unit.
4. Secure the leg on the unit by tighten 2 screws into the pre-drilled hole.
5. Repeat the above steps for the remaining legs.

Placing the Unit

Place the unit on smooth level surface.

Keep combustible objects at least 3ft away from the unit.

Allow at least 4" of clearance space around the side of the unit.

Place the unit to a location that is accessible to grounded power socket.

NOTE:

This unit is intended for indoor use only.

Do not push, pull, or drag the unit to prevent damage to the legs or the unit.

Installation Guide

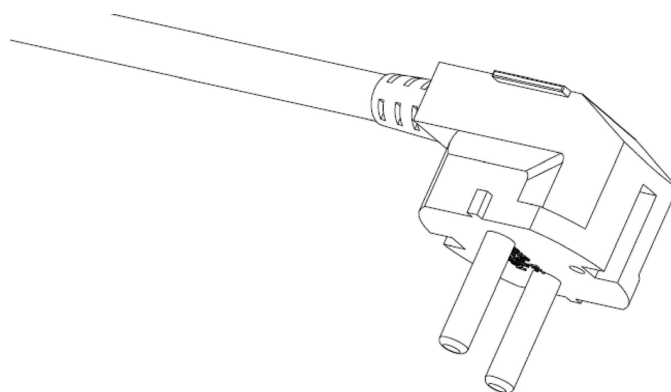
Grounding

This product must be grounded. If it should malfunction or breakdown, grounding provides a path of least resistance for electric current to reduce the risk of electric shock.

This unit comes standard with a 6ft (1.8m) long, three wired cord. Always plug the unit into a wall outlet. An extension or relocate tab should never be used.

⚠ CAUTION! WARNING: Improper connection of the equipment grounding conductor can result in a risk of electric shock. Check with a qualified electrician or serviceman if you are in doubt as to whether the product is properly grounded.

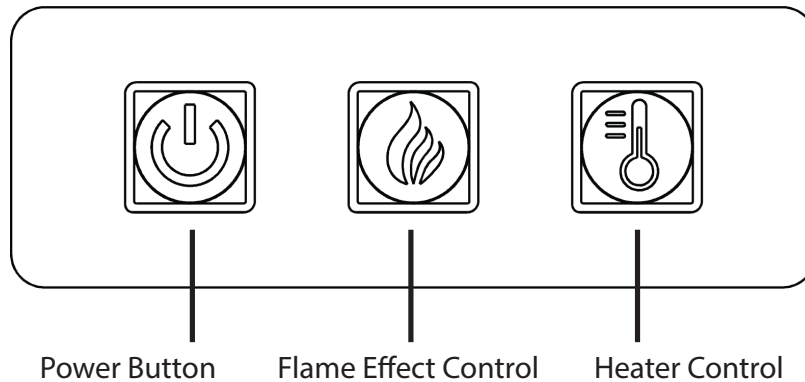
⚠ CAUTION! WARNING: DO NOT modify the plug provided with the product if it does not fit the outlet. Have a proper outlet installed by a qualified electrician.



User Instruction (Control Panel)

Before use

Check that the air intake and exhaust is not covered or obstructed in anyway.



Power ON / OFF

Press the power switch to once to power on the unit.

Press the power switch again to power off the unit.

⚠ CAUTION! WARNING: DO NOT unplug the unit when it is still "ON"

Heater

Press the heater control button to turn on the heater, press again to turn off the heater.

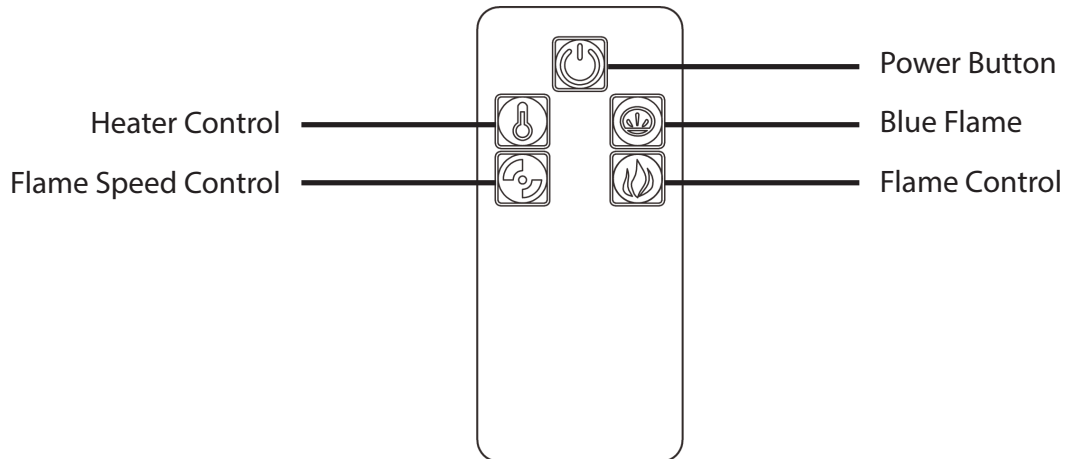
Flame Effect

The flame effect will be visible through the front window after toggle the power switch to "ON" position.

Press the Flame effect control button to rotate and set between 3 levels of brightness.

Press and hold the flame effect control button to enters blue light adjustment mode.

User Instruction (Remote Control)



Power Button

Press the power button to turn on and off the unit.

Heater Control

Press the heater control to turn on and off the heater.

Flame Control

Press the flame control button to control the brightness of the flame effect between (Max-Med-Low-Off).
Press the flame control button for 5 seconds to enters blue light adjustment mode.

Blue Flame Control

Press the blue flame control button to control the brightness of the blue flame between (Max-Med-Low-Off-Cycle).

Flame Speed Control

Press the flame speed control button to control flame speed

Install / Replace Battery

The remote control is provided with a CR2025 battery.
Remove the plastic insulating sheet before using.

To replace or remove old battery, push in the clip and pull the battery bracket out simultaneously.

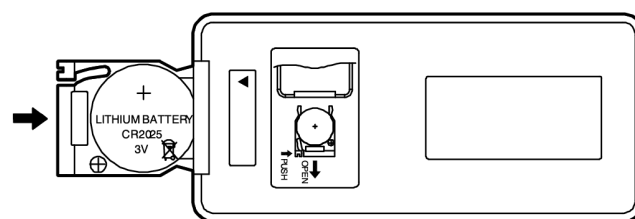
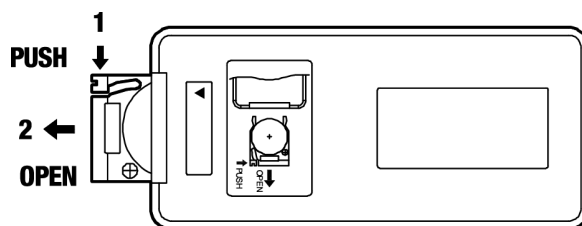
Insert a new battery with the button side into the battery bracket, make sure the battery is firmly seated.

To replace the bracket, simply push it into the remote control. Make sure the bracket snaps into position.

NOTE: Remove battery from remote control if not use for an extended period of time.

⚠ CAUTION! WARNING: Dispose old / used battery at a suitable recycling point or according to local regulations.

⚠ CAUTION! WARNING: DO NOT ingest battery.
If accidentally swallowed, seek for medical help immediately.



User Instruction

Care and Maintenance

Cleaning the unit:

Always turn off the and unplug the unit from power outlet before cleaning.

Use a vacuum cleaner or duster to remove dust and dirt from the heater and vent areas.

Use a damp soft cloth to clean the surface and buff with a dry cloth.

Do not use abrasive cleansers, liquid sprays or any cleaner that could scratch the surface.

