

2KW ELECTRIC FIRE SUITE

YOUR SAFETY &
INSTRUCTION MANUAL
PLEASE READ CAREFULLY

MODEL **WL45026**



TECHNICAL DATA

Description:	2KW Electric Fire Suite
Model:	WL45026
Rated Voltage:	220 - 240V
Frequency:	~ 50Hz
Power consumption:	2000W
Lighting:	5W LED Array (non serviceable)

DOCUMENTATION

We declare that this product conforms to the following product legislation in accordance with the following directive(s):

2004/108/EC	Electromagnetic Compatibility Directive.
2006/95/EC	Low Voltage Directive.
2011/65/EU	Restriction of Hazardous Substances Directive.

RKW Quality Assurance, United Kingdom

WARRANTY

This product is guaranteed for 12 months from the date of original purchase. If any defect arises due to faulty materials of workmanship, the faulty products must be returned to the place of purchase. Refund or replacement is at the discretion of the retailer.

The following conditions apply:

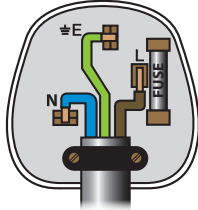
- The product must be returned to the retailer with proof of purchase.
- The product must be installed and used in accordance with the instructions contained in this instruction guide.
- It must be used only for domestic purposes.
- It does not cover wear and tear, damage, misuse or consumable parts.
- RKW has limited liability for incidental or consequential loss or damage.
- This guarantee is only Valid in the UK and Eire Only.

**An extended warranty is available for this appliance.
See back page for details.**

WIRING SAFETY FOR UK USE ONLY

IMPORTANT

As the colours in the mains lead of this appliance may not correspond with the coloured markings identifying the terminals in your plug, please proceed as follows:




The wires in the mains lead are coloured in accordance with the following code:


Blue neutral [N] **Brown** live [L]
Green/Yellow [EARTH] 

Plug Fitting Details (Where Applicable).

The wire coloured blue is the neutral and must be connected to the terminal marked [N] or coloured black.

The wire coloured brown is the live wire and must be connected to the terminal marked [L] or coloured red.

The wire coloured green/yellow must be connected to the terminal marked with the letter [E] or marked .

On no account must either the brown or the blue wire be connected to the [EARTH] terminal .

Always ensure that the cord grip is fastened correctly.

The plug must be fitted with a fuse of the same rating already fitted and conforming to BS 1362 and be ASTA approved.

If in doubt consult a qualified electrician who will be pleased to do this for you.

Non-Rewireable Mains Plug

If your appliance is supplied with a non-rewireable plug fitted to the mains lead and should the fuse need replacing, you must use an ASTA approved one (conforming to BS 1362 of the same rating).

If in doubt, consult a qualified electrician who will be pleased to do this for you.

If you need to remove the plug - disconnect it from the mains - and then cut it off the mains lead and immediately dispose of it safely. Never attempt to reuse the plug or insert it into a socket outlet as there is a danger of an electric shock.

WARNING:
This Appliance **MUST** be Earthed

PRODUCT SAFETY

When using **any** electrical appliance, basic safety precautions should always be followed including the following:

- Check that the voltage of the main circuit corresponds with the rating of the appliance before operating.
- Please ensure that the appliance is used on a stable, level, and heat resistant surface.
- Do not immerse cords, plugs or any part of the appliance in water or any other liquid.
- Do not leave the appliance unattended while it is operating.
- Close supervision is necessary when any appliance is used by or near children.
- Take care when any appliance is used near pets.
- This appliance can be used by children aged from 8 years and above and persons with reduced physical, sensory or mental capabilities or lack of experience and knowledge if they have been given supervision or instruction concerning use of the appliance in a safe way and understand the hazards involved.
- Children should not play with the appliance.
- Cleaning and user maintenance should not be undertaken by children without supervision.
- Switch off at the wall socket then remove the plug from the socket when not in use or before cleaning.
- If the supply cord or appliance is damaged, stop using the appliance immediately and seek advice from the manufacturer, its service agent or a similarly qualified person.
- Do not let the cord hang over the edge of a table or counter or let it come into contact with any hot surfaces.
- The use of accessory attachments other than those supplied is not recommended.
- Do not pull the plug out by the cord as this may damage the plug and/or the cable.
- Do not use this product for anything other than its intended use.
- This appliance is for household use only.
- Do not carry the appliance by the power cord.
- Do not use any extension cord with this appliance.
- Do not use the appliance outdoors.
- This heater is not equipped with a device to control the

room temperature. Do not use this heater in small rooms when they are occupied by persons not capable of leaving the room on their own, unless constant supervision is provided.

- Always ensure that the heater is placed on a firm level surface. Ensure that the heater is not positioned close to curtains, furniture or any combustible materials as this could create a fire hazard.
- Never sit or stand on the fire.
- Never use this surround with a gas fire
- Never stand or sit on the surround.
- Never cut off the plug and hard wire into a fixed fused spur.
- The heater must not be located immediately below a mains socket outlet.
- Do NOT cover the heater as this may lead to a fire risk.
- Do NOT obstruct any of the openings of the heater.
- Do NOT insert any object through any openings on the heater.
- Check the heater from time to time for accumulated dust.
- Do NOT use the heater in areas where flammable liquids are stored or where flammable fumes may be present.
- Do NOT operate the heater on a timer, or leave on overnight.
- When not being used, please unplug the heater from the mains socket.
- Keep the mains lead away from the hot body of the heater and ensure that it is not pulled tight between the socket and the heater.
- Always unplug the heater and allow it to cool before moving it from one location to another.
- **WARNING!** This product must be installed correctly, failure to do so may cause damage to your product and/or your surroundings.
- Do not attempt to dismantle or repair any part of the heater. This should only be done by a qualified service agent.
- In the unlikely event the appliance develops a fault, stop using it immediately and seek advice from the service department.



HIGH VOLTAGE



HOT SURFACE

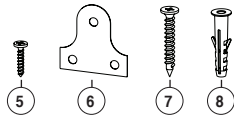


DO NOT COVER

WHAT'S IN THE BOX

Instruction Manual

1. Mantel
2. Controls
3. Electric fire
4. Hearth
5. 16mm screw x4
6. Mirror clip x2
7. 30mm screw x2
8. Wall plug x2



WARNING: This product must be installed correctly, failure to do so may result in injury, electric shock to the user or damage to your product and your Property.

TOOLS NEEDED (not supplied)

1. 2mm & 6mm drill bit (the 6mm drill bit may need to be a masonry bit)
2. Philips screw driver
3. Power drill



BEFORE YOUR FIRST USE:

1. Remove your appliance from the packaging.
2. Install your appliance in accordance with the installation & safety instructions.
3. Your appliance is now ready for normal use.

Dispose of the packaging in a responsible manner.

HANDLING

Before continuing any further with the installation of this fire please read the following:

- One person should be sufficient to lift the fire.
- When lifting always keep your back straight. Bend your legs and not your back.
- Avoid twisting at the waist. It is better to reposition your feet.
- Avoid upper body / top heavy bending. Always bend from the knees rather than the waist. Do not lean forward or sideways whilst handling the fire.
- Always grip with the palm of your hand. Do not use the tips of fingers for support.
- Always keep the product as close to the body as possible to prevent unnecessary and undue strain on the body.
- Use gloves to provide additional grip.
- Always use assistance if required.

UNPACKING THE PRODUCT

The unit is supplied in a single package carton. Carefully unpack the product using the following procedure:

- Ensure that the product is in the correct position with the carton wording legible.
- Take the inner boxes out of the main box.
- Carefully lift the fire out of its box.

- Remove any protective packaging and bags.
- Locate the fixing pack and pebble pack and put them aside.

CHECK THAT YOU HAVE NOTED ALL THE FOLLOWING INSTRUCTIONS:

Do's

- Always install the fire in accordance with this guide. If in doubt obtain expert advice.
- Always make sure the electrical socket is accessible and located adjacent to, but not above or behind the fire.
- Always disconnect the fire from the electrical supply before carrying out cleaning or maintenance.
- Always make sure the fire is firmly secured.
- Always assemble the fire in accordance with this guide. If in doubt, obtain expert advice.
- Always ensure the product is assembled in an area that is free from dust, grease or liquids.
- Always ensure that the correct tools are used to assemble/install this product.
- Always make sure the fire is firmly secured in place when complete.

Dont's

- Never leave children unsupervised in a room where the fire is ON and unguarded.
- Never obstruct or cover the fan outlet or force items into fire openings.
- Never install or use the fire anywhere where water is in use, i.e. bathrooms, kitchens, shower rooms, and swimming pool etc.
- Never use aerosols or steam cleaners on or around the fire.
- Never route the mains supply cable under carpet etc.
- Never install the fire close to curtains or combustible materials.
- Never use the fire to dry clothes etc.
- Never sit or stand on the fire.
- Never cut the off the plug and hard wire into a fixed fused spur.

Note: Any new wiring required, must be in accordance with local and national codes and other applicable regulations in order to reduce the risk of fire, electric shock, or other injuries.

Note: When the fire is turned on for the first time or when it has not been used for some time, it may release a slight, harmless odour. This odour is a normal occurrence caused by the initial heating of the internal heating elements or dust, and will disappear with use.

SAFETY CUT-OUT SYSTEM

WARNING!

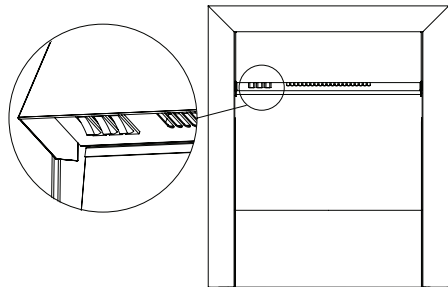
Please do not obstruct the air vents of the electric fire.

This appliance has a 'self resetting' safety cut out system. This will activate if the air inlets or outlets are obstructed. If the Electric Fire is obstructed, it will overheat. If the temperature exceeds 85°C, the heater element will cut out, until a safe temperature is regained.

THE CONTROLS

The appliance is controlled using 3 switches located below the hood of the fire.

Use the following sequence to operate. The grey represents a 'pressed switch.' The controls are located under the hood.



On/Off with
artificial flame
effect

1kW heat
setting

2kW heat
setting

SECURING TO THE WALL

To secure the suite to the wall, follow the instructions below:

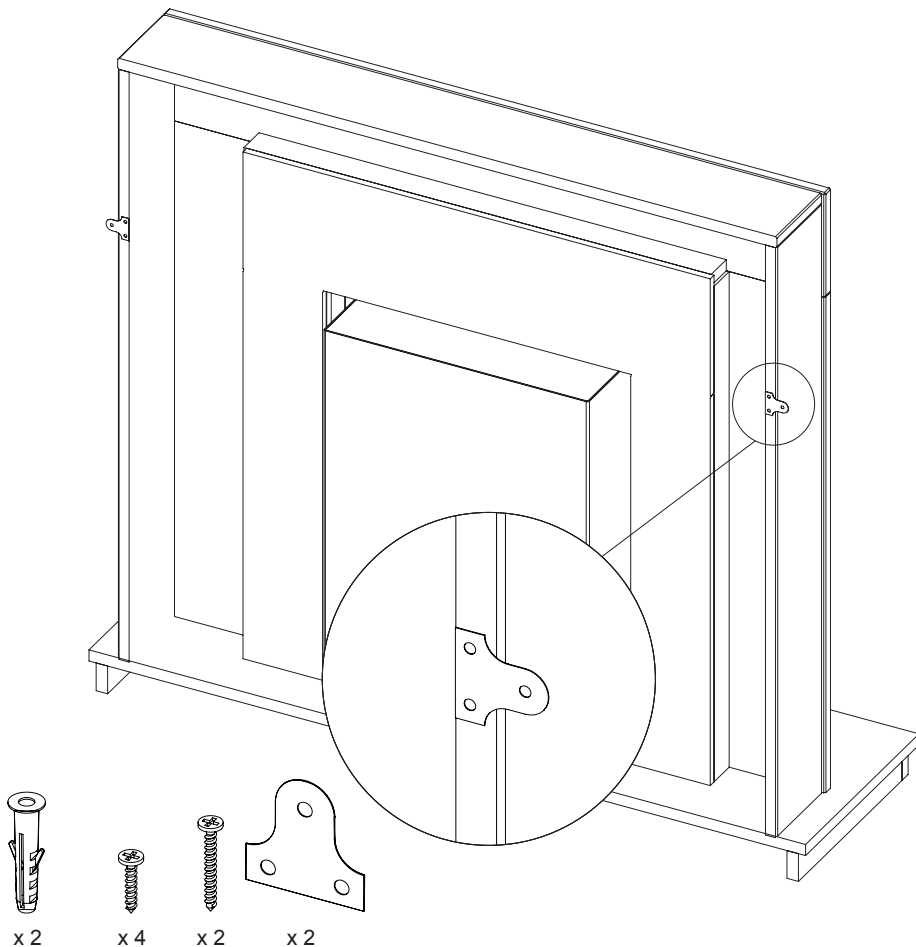
Attach a mirror clip to the back of each edge as shown using the 4 x short screws. Pre-drill the holes to stop the MDF from splitting, (using a 2mm diameter drill bit).

- Place the suite onto the wall, and mark the positions of the remaining holes on both mirror clips.

- For solid walls, drill the 2 holes approximately 35mm deep using a 6mm diameter drill bit.

Note: If fitting the fire to plaster board with a cavity behind then propriety wall fixings (not supplied) will be required.

- Insert the wall plugs, then secure the suite with 2 x long screws (supplied)



TROUBLE SHOOTING

Safety Cut-Out device:

To ensure against the potential hazard caused by blockage of the air outlet, this unit is equipped with an automatic over-temperature safety cut-out device. When the device is activated the heater will not operate. If this occurs, the unit can be reset using the following procedure.

1. Turn the fire off by depressing the On/Off switch on the unit.
2. Unplug the power cord from the electrical mains supply socket and leave it disconnected for at least 10 minutes.
3. Ensure that the air vents are free from obstruction.
4. Plug the power cord back into the mains socket.
5. Turn the fire back on.
6. If the fire fails to operate, check the fuse in the plug.
7. If the fuse in the plug is ok and the fire is still not functioning, contact a qualified service person for repair.

Symptom	Potential cause	Corrective action
The fire won't turn on.	Mains plug is not plugged in. The On/Off switch hasn't been switched on. The fuse in the plug has blown.	Check the mains socket to ensure the plug has been inserted correctly. Switch on using the operation switches. Contact the manufacturer or a qualified repair service agent for repair.
No heat.	One or both of the heat selector switches have not been switched on.	Ensure that the heat selection switches have been correctly switched on.
Heater operates and then the heat cuts out.	The safety cut-out may have switched the fire off.	Follow the procedures as outlined in the "safety cut -out device" section.

CLEANING AND CARE

- Before cleaning always switch off the fire and remove the plug from the electrical socket.
- Ensure that the unit is cool enough to work on.
- To remove the dust, wipe the appliance with a dry cloth
- Never use abrasive powders or solvents.
- If the heater shows any signs of wear or damage, disconnect the fire immediately from the mains supply. DO NOT use it – Have the appliance checked by a suitably qualified person.

WARNING:
DO NOT IMMERSE THE MOTOR UNIT
IN WATER